

CCT&Power Tunable LED Commercial Downlight

Product Description

The CCT & Power Tunable commercial downlight use aluminum housing, anti-corrosion painting design. High-performance illumination which can lasts 50,000HRS, Replace 20-100W MH/HPS.

Advantage

- Available in 5 color temperatures and 3 powers
- This product emits evenly ,without halo and shadows
- 100-277VAC with 0-10V dimming
- Suitable for Wet Location.
- Flicker free , flicker is less than 5% ,
- Suitable for 2.4G intelligent control technology
- ETL Listed for wet and type IC
- ENERGY STAR approved for superior energy efficiency
- EMC certification



Applications

Shopping, Hospital Centre, Exhibition, Hotel Lobby, Office, Home, etc.



CCT&Power Tunable LED Commercial Downlight

Specifications

Model No.	U-CD6-12/17/22W	U-CD8-17/24/30W
Input Power	12W/17W/22W	17W/24W/30W
Lumen	1140-2200LM	1615-3300LM
Lumen Efficacy	95-100LM/W	95-110LM/W
Size	6 inch	8 inch
Color Temperature	2700K, 3000K, 3500K, 4000K, 5000K	
CRI	>80	
SDCM	≤6	
UGR	<28 (X=4H, Y=8H; S/H=1; Reflectances: 70%/50%/20%)	
Viewing Angle	100°	
Input Voltage	100-277VAC 50/60Hz	
Dimming Mode	0-10V	
Dimming Range	0%-100%	
Flicker Percent	<5%	
Driver	0-10V dimming driver	
LED Brand	Lumileds	
LED Type	SMD 2835	
Housing	Die-cast aluminum+PC Lens	
Switch Control Function	Selectable	
Starting Time	≤1S	
ON/OFF	20000 times	
Housing Color	White	
Waterproof Rating	Wet location	
Operating Temperature	-10°C TO 50°C	
Operating Humidity	20%-90% RH	
Storage Temperature	-10°C TO 50°C	
Storage Humidity	10%-95% RH	
Warranty Time	5 years warranty with 24/7 operating hours Luminaire lifetime at 25°C.	

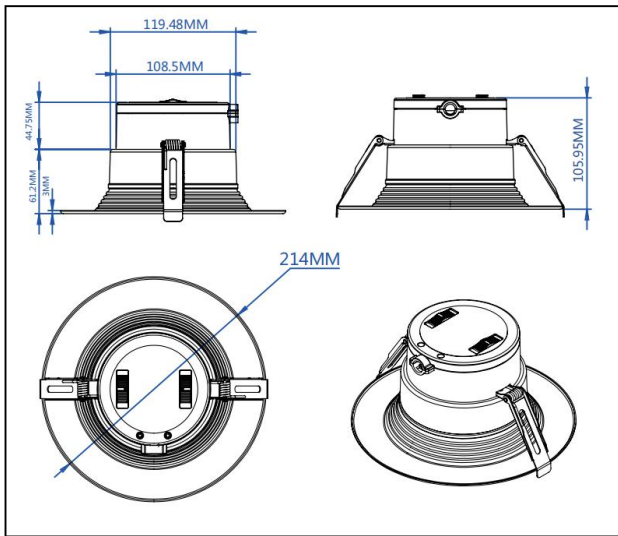
CCT&Power Tunable LED Commercial Downlight

Operating hours	0	25000	50000
Lumen maintenance factor	1	0.91	0.8

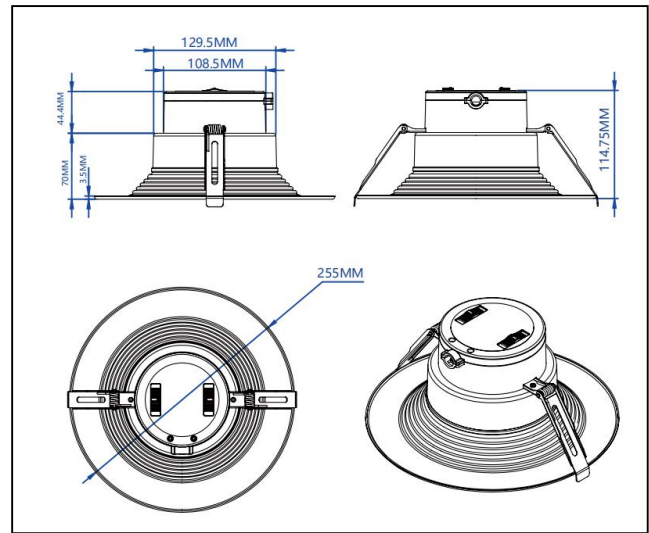
Data references the extrapolated performance projections for the LED commercial downlight platform in a 25°C ambient, based on 10,000 hours of LED testing (tested per IESNA LM-80-08 and projected per IESNA TM-21-11).

Dimensions

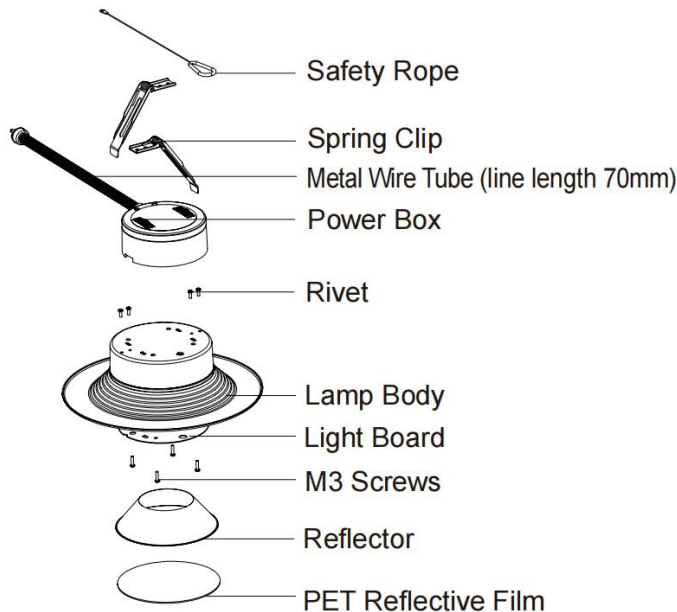
6inch



8 inch



Exploded Drawing



Packing Content



PART	DESCRIPTION	QUANTITY
A	Round LED Commercial Downlight	1
B	Wire Connectors	5

CCT&Power Tunable LED Commercial Downlight

Package Info.

Model		Carton Dimension(mm/in)	Qty/Carton	N.W(kg/lbs)	G.W(kg/lbs)
6inch	Inner Box	232*232*125 mm (9.13*9.13*4.92in)	1pcs	0.58kg (1.28lbs)	0.87kg (1.91lbs)
	Outer Box	480*265*272 mm (18.9*10.43*10.71in)	4pcs	2.32kg (5.1lbs)	2.9kg (6.38lbs)
8inch	Inner Box	307*307*145mm (12.09*12.09*5.71in)	1pcs	0.64kg (1.41lbs)	0.93kg (2.05lbs)
	Outer Box	320*320*315mm (12.6*12.6*12.4in)	4pcs	2.56kg (5.63lbs)	3.1kg (6.82lbs)

Notice For User

- ◆ Please turn off power before install or change assembly parts.
- ◆ The input voltage and lamps should be matched, after connecting the power line, Please make sure the wiring section is insulated.
- ◆ No-professionals, must not install and disassemble the lamps.

Trouble Shootings

Troubles	Check points
Flickering of the light	Turn off the power and turn on again in 3 minutes. If same phenomena occur, then call agencies.
Out of working	Please check the connection.