



**Description**

Altech's Architectural Series Flood Light, represents the future of energy efficiency in facility illumination. The perfect low-profile, high-performance LED fixture when needed.



**Applications**

Ground Mount  
Security Lighting

Wall Mount  
Roof Mount

Pole Mount

**Details**

IP Rating	IP67
EPA Rating	0.9
Materials	Die Cast Aluminum
Lens	Glass
L70 Life	100,000 Hours
Warranty	10 Years
CRI	80+
Qualification	UL, DLC Premium, FCC, CE, RoHS
Driver Man.	YG (100-277V), Mean Well (480V)
Chip Man.	Philips

**Electrical**

Power Factor	0.99
Frequency	50/60 Hz
Max THD	15%
Operating Temp.	-40° F to 150° F -40 ° C to 65° C
Dimming	3 in 1 (Resistance, PWM, 1-10V)

FLOOD LIGHT ARCHITECTURAL SERIES

DLC #:	U-HFL-15	U-HFL-30	U-HFL-60	U-HFL-90	U-HFL-120	U-HFL-150
MODEL #:	AE-L-FLAS-15	AE-L-FLAS-30	AE-L-FLAS-60	AE-L-FLAS-90	AE-L-FLAS-120	AE-L-FLAS-150
Input Wattage:	15W	30W	60W	90W	120W	150W
Lumens:	2,475 lm	4,950 lm	9,900 lm	14,850 lm	19,800 lm	24,750 lm
Equivalent:	75W MH	150W MH	300W MH	350W MH	550W MH	650W MH

**Ordering Information**

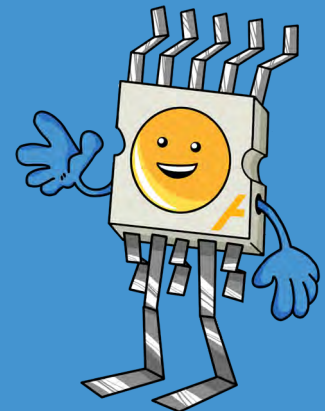
Example: AE-L-FLAS-PLY-60-175-50K-1-1-K-P-BZ

Lens Type	Wtg	Lumen Package	Color Temp.	Distribution	Input Voltage	Mounting	Options	Finish
TG - Tempered Glass	15	165 - 165 lm/W*	30K - 3000K	1 - 120°*	1 - 100-277V*	T - Trunnion*	MS - Motion Sensor	BZ - Bronze*
PLY - Polycarbonate	30	175 - 175 lm/W	40K - 4000K		2 - 480V	K - Knuckle	P - Photocell	BL - Black
	60		50K - 5000K*				EI - Emergency Inverter	SV - Silver
	90		57K - 5700K				WP(X) - Additional Whip	GR - Gray
	120					(Knuckle mount only available to 15W - 60W)	(X = specified length in ft.; 1.67' is standard)	SP - Other
	150							

\*Standard

**Additional Notes**

- Only 5000K, 100-277V in BRONZE are stocked locally, check for ETA's
- Hot-start delays: .08 seconds (YG driver), 1 second (Mean Well driver)
- Additional charges apply for items under "Options" column and non-standard colors



**Lumen Output (based on 5000K)**

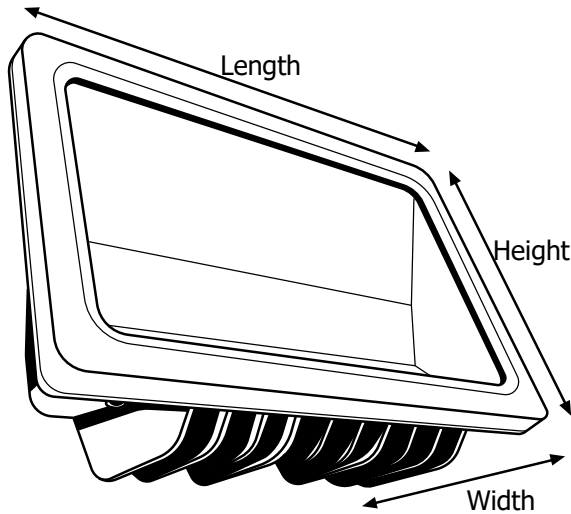
System Watts	Lumens	lm/W	B	U	G
15	2,534	166	0	0	0
	2,688	176	0	0	0
30	5,069	168	1	0	1
	5,377	178	1	0	1
60	10,139	169	1	0	2
	10,753	179	1	0	2
90	15,209	169	1	0	2
	16,132	180	2	0	2
120	20,452	170	2	0	2
	21,054	175	2	0	2
150	25,396	165	4	0	3
	26,935	175	4	0	4



Knuckle mount is only an option on 15W, 30W, and 60W models.

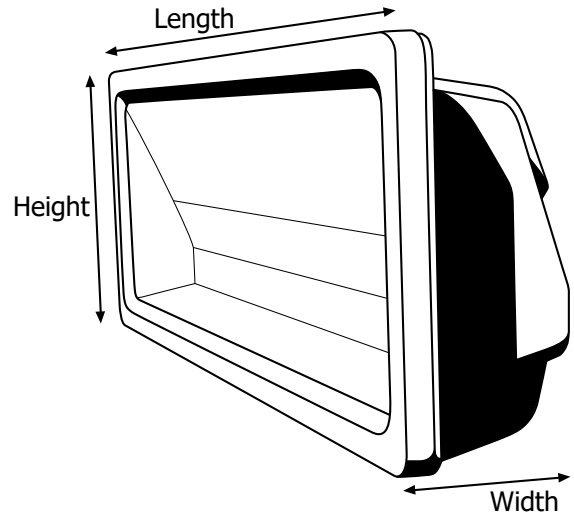
**Fixture Dimensions and Weight**

15, 30, & 60 Watt



Length	Width	Height	Weight
9.8 in.	3.75 in.	6.25 in.	4 lb.
249 mm.	95 mm.	165 mm.	1.81 kg.

90, 120, & 150 Watt



Length	Width	Height	Weight
15.75 in.	3.75 in.	6.25 in.	7 lb.
400 mm.	95 mm.	165 mm.	3.17 kg.

**Wiring Precaution**

The international color scheme is brown (hot), blue (neutral) and green/yellow (ground) wiring. Always disconnect power when installing or troubleshooting. Consult a licensed technician.

