



Description

The FLAS Flood Light fixture is the perfect LED to replace all your existing HID, CFL and Quartz flood lights. Works great for pole, wall, roof or ground mounted applications.

DLC Partner: *Ultron Industries*



Applications

Ground Mount Wall Mount Pole Mount
 Security Lighting Roof Mount

Details

IP Rating IP67
 EPA Rating 0.9
 Materials Die Cast Aluminum
 Lens Glass
 LM70 Life 100,000 Hours
 Warranty 10 Years
 CRI 85+
 Certification UL, DLC Premium, FCC, CE, RoHS
 Driver Man. YG (100-277V), Mean Well (480V)
 Chip Man. Philips

Electrical

Power Factor 0.99
 Frequency 50/60 Hz
 Max THD 15%
 Operating Temp. -30° F to 150° F
 -34° C to 65° C
 Dimming Optional

ALTECH MODEL #:	AE-L-FLAS-15-165	AE-L-FLAS-30-165	AE-L-FLAS-60-165	AE-L-FLAS-90-165	AE-L-FLAS-120-165	AE-L-FLAS-150-165
DLC #:	U-HFL-15-165	U-HFL-30-165	U-HFL-60-165	U-HFL-90-165	U-HFL-120-165	U-HFL-150-165
Input Wattage:	15W	30W	60W	90W	120W	150W
Efficacy:	165 lm/W					
Lumen Output:	2,475 lm	4,950 lm	9,900 lm	14,850 lm	19,800 lm	24,750 lm

ALTECH MODEL #:	AE-L-FLAS-15-175	AE-L-FLAS-30-175	AE-L-FLAS-60-175	AE-L-FLAS-90-175	AE-L-FLAS-120-175	AE-L-FLAS-150-175
DLC #:	U-HFL-15-175	U-HFL-30-175	U-HFL-60-175	U-HFL-90-175	U-HFL-120-175	U-HFL-150-175
Input Wattage:	15W	30W	60W	90W	120W	150W
Efficacy:	175 lm/W					
Lumen Output:	2,625 lm	5,250 lm	10,500 lm	15,750 lm	21,000 lm	26,250 lm

Ordering Information

Example: AE-L-FLAS-60-175-50K-1-1-K-P-BZ

Wtg	Lumen Pckge	Color Temp.	Distribution	Input Voltage	Mounting	Options	Finish
15	165 lm/W*	30K - 3000K	1 - 120°*	1 - 100-277V*	T - Trunnion*	MS - Motion Sensor	BZ - Bronze*
30	175 lm/W	40K - 4000K		2 - 480V	K - Knuckle	P - Photocell	BL - Black
60		50K - 5000K*		(Warranty is reduced to 5 years for 480V models)	(Knuckle mount only available to 15W - 60W)	EI - Emergency Inverter	SV - Silver
90		57K - 5700K				WP(X) - Additional Whip (X = specified length in ft.; 1.67' is standard)	GR - Gray
120							SP - Other
150							

*Standard

Additional Notes

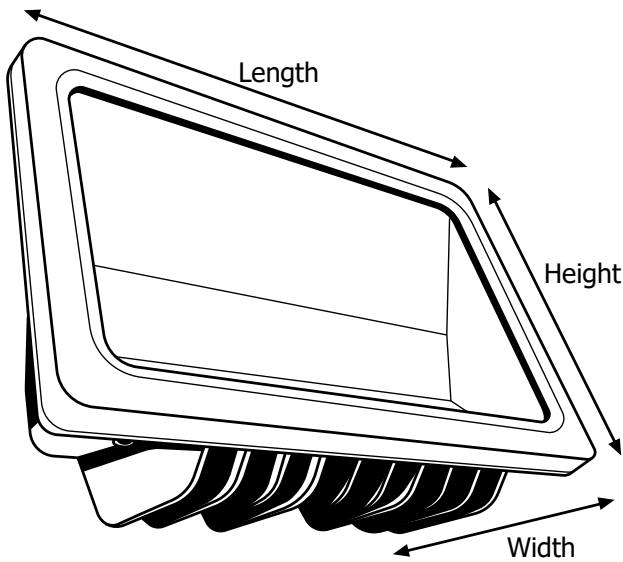
- Only 5000K, 100-277V in BRONZE are stocked locally, check for ETA's
- Hot-start delays: .08 seconds (YG driver), 1 second (Mean Well driver)
- Additional charges apply for non-standard colors



Knuckle mount is only an option on 15W, 30W, and 60W models.

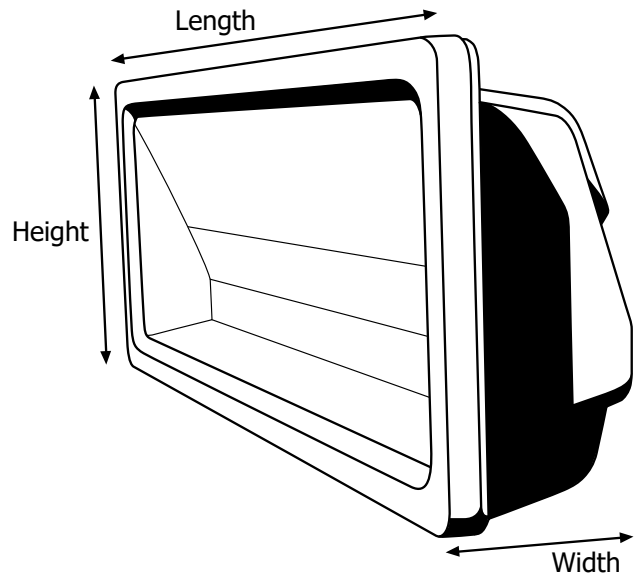
Fixture Dimesions and Weight

15, 30, & 60 Watt



Length	Width	Height	Weight
9.8 in.	3.75 in.	6.25 in.	4 lb.
249 mm.	95 mm.	165 mm.	1.81 kg.

90, 120, & 150 Watt



Length	Width	Height	Weight
15.75 in.	3.75 in.	6.25 in.	7 lb.
400 mm.	95 mm.	165 mm.	3.17 kg.