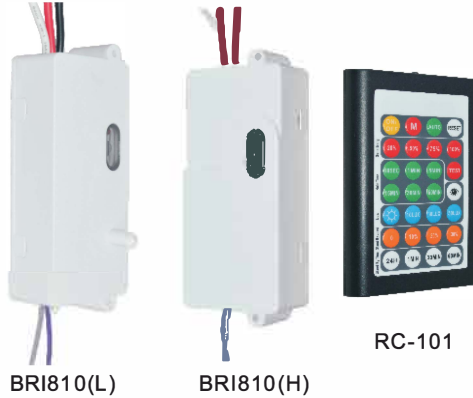


BRI810 Line Voltage Bi-Level Microwave Fixture Integrated Sensor

Fully adjustable high and low dimmed light levels; optional dusk to dawn control

Designed for LED fixtures; rated for extreme temperatures and up to 200,000 on/off cycles



Adjustable via handheld wireless configuration tool

Adjustable time delay and cut off delay

PROJECT	
LOCATION/TYPE	



Product Overview

Description

The BRI810 mounts in an lighting fixture and provides multi-level control based on motion and/or daylight contribution. It controls 0-10 VDC LED drivers or dimming ballasts, as well as non-dimming ballasts and, s. All control parameters are adjustable via a wireless configuration tool capable of storing and transmitting sensor profiles.

Wireless Handheld Configuration Tool

Initial setup and subsequent sensor adjustments are made using a handheld configuration tool (BIR-100). This tool enables adjustment of parameters including high and low modes, sensitivity, time delay, cut off and more.

Operation

Typically, the sensor ramps lighting On to the selected High mode level when motion is detected and the ambient light level is below the hold off set point. After the sensor stops detecting movement and the time delay elapses, lights fade to the Low mode level. If there is no motion during the subsequent cut off time delay, the lights will turn Off.

Applications

The slim, low-profile BRI810 is designed for installation inside a light fixture body,. The sensor is ideal for areas such as parking facilities, warehouses. A choice of microwave sensor ensures complete coverage for mounting heights up to 20'. BRI810 works well even if the temperature is up to 131°F.

Features

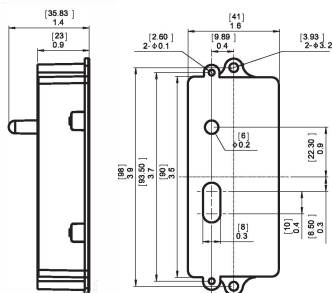
- Provides line voltage On/Off switching and 0-10VDC dimming control
- Works with ballasts or LED drivers
- High and low modes fully adjustable from 0 to 10V
- Time delay from 5 to 30 minutes
- Optional cut off delay
- Adjustable ramp up and fade down times
- High inrush stability zero crossing circuitry for reliable, long-life speration catching relay is durable for all load
- Remote control
- UL773A and FCC

Specifications

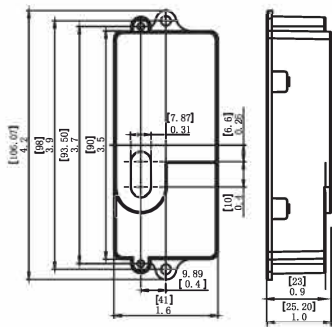
Power supply	120-277VAC
Maximum load @ -40°F ~ 158°F (-40°C ~ 70°C)	Resistive/Tungsten - 600W@120V Ballast Electronic (LED) - 800/1200VA@120/277V
HF System	5.8GHz CW
Dim control output	0-10V, max. 25mA sinking current
Detection radius/angle	Max meters/360°
Mounting height	Max 20ft
Remote range	33ft. (10m) indoor, no backlight
Humidity	Max. 95% RH
Temperature	-104°F ~ 158°F (-40°C ~ 70°C)

Dimensions & Mounting

Sensor Dimensions

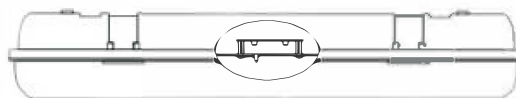


BRI810(L)

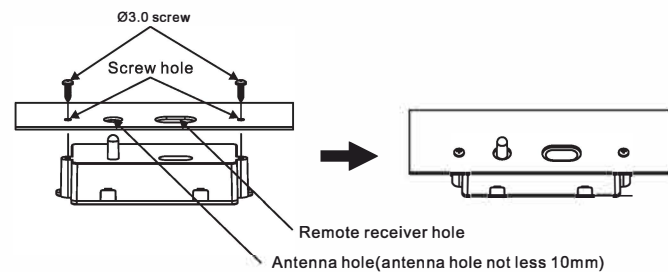


BRI810(H)

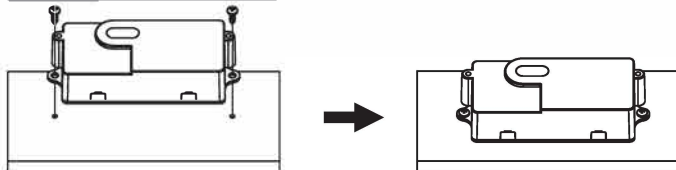
Sensor Mounting



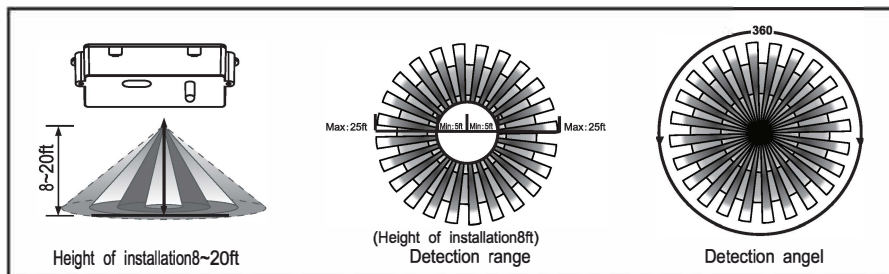
Mounting behind of PCB



Mounting on surface of PCB



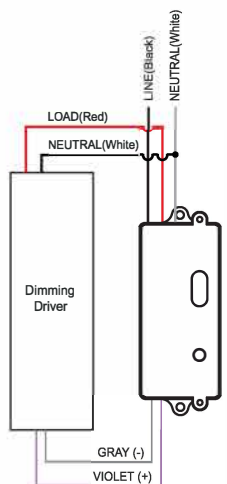
Coverage



Wiring

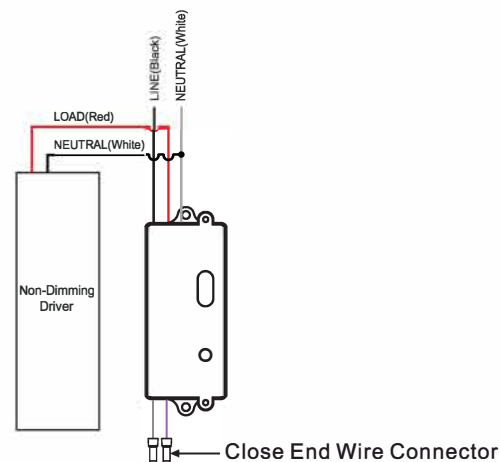
BRI810 wiring with dimming ballast or LED driver.

Dimming Driver



BRI810 wiring with non-dimming ballast or LED driver.

Non-Dimming Driver



Ordering Information

Catalog No.	Color	Description
<input type="checkbox"/> BRI810(L)	White	360° lens, maximum coverage 48' diameter from 8'-20' height
<input type="checkbox"/> BRI810(H)	White	360° lens, maximum coverage 40' diameter from 8'-40' height
<input type="checkbox"/> RC-101	Black	remote control Battery : AAA x 2
<input type="checkbox"/> RC-102	Black	remote control Button cell : CR2025H